

## 2' Fluorescent Strip Light

Value, Quality, Energy Efficient

Type:	
Catalog #:	
Project:	
Comments:	
Prepared by:	



### Description

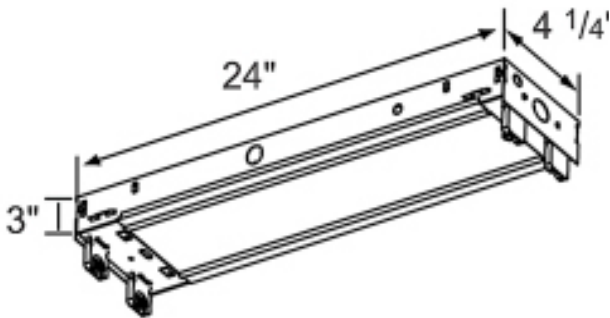
- LED 2' Fluorescent Strip Light

### Design Features

- 2 x 17W, T8 or 2 x 20W, T12 lamps
- Hard wire connections with numerous knockouts for easy wiring
- Heavy duty frame with rust-free powder coating
- Suitable for surface or pendant mounting
- NPF electronic ballast installed
- L-24" W-4 1/4" H-3"

### Compliance

- UL, cUL List for Damp Location



CATALOG #	WATTAGE	LUMENS	CCT	INPUT VOLTAGE	DIMMING	CRI
4301WH	2 x 17	2040	4000	120V	None	84