

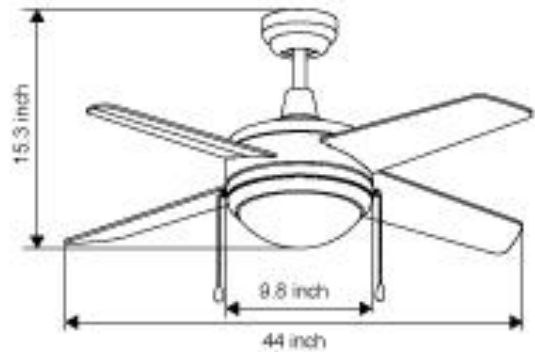


RP

LIGHTING • FANS

Type:	
Project:	
Comments:	
Prepared By:	

SKU:	1041LED		
Family:	Europa II LED		
Product Category:	Fan		
Description:	44 inch fan w/ 4 blades & integrated LED light kit		
Finishes	Black, Brushed Nickel (shown), Oil Rubbed Bronze, White		
Blade			
Blade Sweep:	44 inches		
Blade Material:	Plywood		
No. of Blades:	4		
Blade Pitch:	12°		
Blade Finishes	Black, Brushed Nickel (shown), Oil Rubbed Bronze, White		
Motor			
Motor Size:	153 mm x 12mm Silicon Motor		
RPM:	95	160	210
Watts:	13.5W	32.2W	47.9W
Amps:	0.222A	0.343A	0.421A
CFM: (L/M/H)	1839	3200	4162
Speeds:	3		
Capacitors:	Triple		
Reversible (Y/N)	YES		
Lead wire:	76"		
CFM/W: (L/M/H)	136.2	99.4	86.9
Dimensions			
Height (lowest point)	15.3"		
Width (housing)	9.8"		
Height (top of blade)	12"		



Accessories and additional features:	
Light kit capable (Y/N):	Integrated LED
Wattage:	17W
Lumens:	900 (dimmable)
Kelvin:	3000 KELVIN
Remote Controls:	3 speed remote control (optional)
Wall Controls:	WC-8 (optional)
Warranty:	Limited Lifetime
Down rods:	4" included
Shade	
Shade Description:	White opal glass
Shade Material:	Glass
Item # Replacement:	1004G

