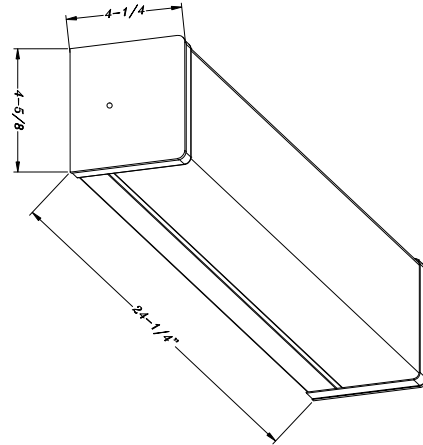


4115WH

120V-277V

Catalog #:		Type
Project:		Date
Prepared by:		

2 ft LED Stairwell Light



2ft LED Stairwell Light

DESCRIPTION

Safety, reliability, and efficiency are just a few things that come to mind when thinking stairwell lighting. Our 4115 and 4116 series LED Stairwell Lights deliver just that in a simple and practical design. Increase energy savings with the built-in motion sensor, by only lighting the stairwell when occupied.

DESIGN FEATURES

Construction

- Heavy-duty steel construction
- Available in 2ft (4115) and 4ft (4116)
- 24-1/4" L x 4-1/4" W x 4-5/8" H

Electrical

- 120V-277V
- 20W | 2,190Lm | 109.5Lm/W
- Microwave motion sensor and emergency battery back-up available
- 50,000 hour projected life
- Available in 80CRI, 4000K

Installation

- Ceiling or wall mount

Lens

- High-efficiency acrylic lens
- 120° beam angle

Finish

- White finish

Available options

- Microwave motion sensor
 - 4115WH-MS (installed)
- Emergency Battery Backup
 - 4115WH-EM (installed)
- Both
 - 4115WH-MS-EM (installed)

Certifications

- cETLus Certified



TEL: 800.937.6925 | Fax: 800.207.9509 | www.rplighting.com

Specifications and dimensions subject to change without notice.

4115WH

120V-277V

Specification & Ordering

Model #	Dimensions (L x W x H)	Watts	Lumens	CCT	CRI	Finish
4115WH	24.25" x 4.625" x 5.125"	20W	2,190 Lm	4000K	80	White

ORDERING

Example: 4115WH-MS-EM

Model #	Motion Sensor and Battery
4115WH	
4115WH	<p>-MS : Microwave motion sensor -EM : Emergency Battery Backup -MS-EM : Both</p>

2ft LED Stairwell Light