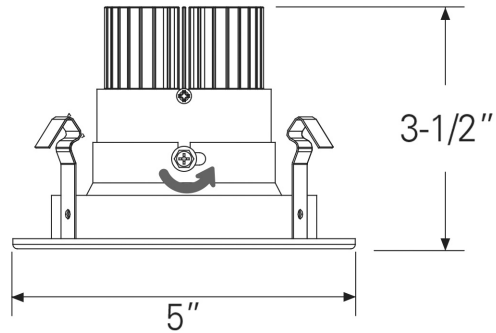


# 8771

120V

Catalog #:		Type
Project:		Date
Prepared by:		

## 4" LED Recessed Gimbal



8771 - 4" LED Recessed Gimbal

### DESCRIPTION

The 8771 is a 4" Recessed LED Gimbal Module that is a quick, easy, and affordable way to upgrade to an energy efficient LED down light solution. Flexible for use in both retrofit and new construction applications, and suitable for use in damp locations, this is a ideal choice for most any residential or light-commercial environment.

### DESIGN FEATURES

#### Construction

- Spun aluminum housing provides ample heatsinking

#### Electrical

- 120V-60Hz
- Dimmable TRIAC or ELV, 10-100%
- 50,000 hour projected life
- 10W | 717 lms (delivered)
- 3000K or 4000K | 90 CRI

#### Installation

- Simple and easy 4" recessed housing installation
- E26 adapter is standard

#### Available Housings

- 8201HA
- 8201HRA
- 8202HA
- 8215HA
- 8215HRA

#### Dimensions

- 3-1/2" H x 5" W

#### Certifications

- Energy Star Listed - 80 CRI Only
- cETLus Certified for damp locations
- LED Lamp: 5 Year Limited Warranty
- Other Components: 1 Year Limited Warranty

### ORDERING GUIDE

Example: 8771WH-90-3K

Model #	Finish	CRI	CCT
8771		-90	
8771	<b>BN</b> : Brushed Nickel * <b>OB</b> : Oil Rubbed Bronze * <b>WH</b> : White **	-90 : 90 CRI	<b>-3K</b> : 3000K <b>-4K</b> : 4000K

Limited quantities; check with factory

\* only available in -3K

\*\* only available in -4K



TEL: 800.937.6925 | Fax: 800.207.9509 | [www.rplighting.com](http://www.rplighting.com)

Specifications and dimensions subject to change without notice.