

REL7

Outdoor Die-Cast Emergency Light



Royal Pacific Ltd.

4931 Paseo Del Norte NE

Albuquerque, NM 87113

Ph: 1-800-937-6925

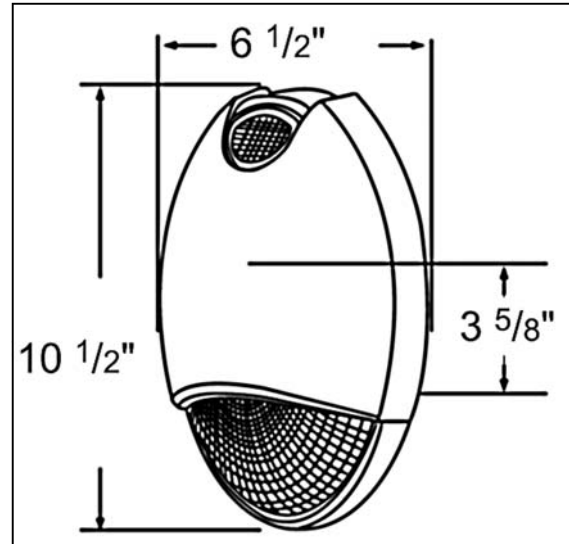
Fax: 1-888-207-9509

EMERGENCY LIGHTING



GENERAL DESCRIPTION

Outdoor die-cast emergency light.



MAIN FEATURES

Listing

- ETL listed for wet location.

Voltage

- Dual 120/277V

Lamps / Heads

- 2 x 6V, 6W
- Xenon
- 3-LED's (1-Top, 2-Bottom)

Battery

- One
- 6V, 5 Ah
- Nickel-Cadmium
- Rechargeable
- Protected from deep discharge by automatic low voltage disconnect circuitry.
- Whenever normal AC current fails, the internal solid state transfer switch automatically connects the internal battery to the fixture to keep the sign continuously lit for at least 90 minutes.

Operating Temperature

- 0°C (32°F) to 50°C (122°F).

Housing

- Die-cast aluminum.
- Polycarbonate lens and mirror reflector.
- Flame rating (UL94V-0)

Finish / Color Options

- Bronze
- White

Mounting

- Wall or conduit.

Replacement Items

- Battery: RB-7
- Lamps: RBL-8

Other Features

- Light sensor turns LED's on at dusk.
- Integral recharging system.
- Fully automatic operation.
- Completely self contained.
- Compact, low profile design.
- Limited 5 year warranty.
- REL7 BZ/WH-C is cold weather tested: -17°C (0°F) to 50°C (122°F)
- Sealed momentary test switch.

Project:
Contact:
Location:
Fixture Type:

Quantity	Remarks