

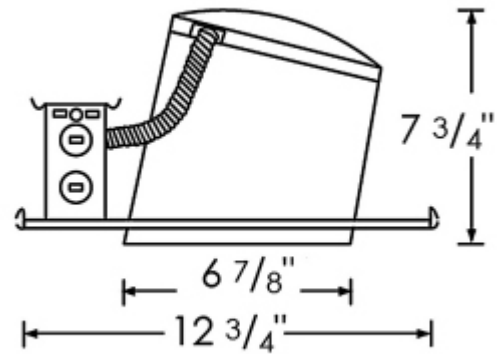


RP

LIGHTING • FANS






Type:
Project:
Comments:
Prepared By:

<b>Part #</b>	<b>8110H</b>
Description:	6" IC sloped ceiling incandescent housing
<b>Design Features</b>	
Thermal Protection	Protected against misuse of insulation and improper wiring
Bar hangers	Pre installed allowing for position at any point w/in a 24" joist span. Can be turned 90° on plaster frame, & to fit T-bar spine w/out additional clamps for use in drop ceilings.
Nails	Pre installed captive nails on bar hangers
IC Rating	IC rated for direct contact with non cellulose insulation
J Box	Listed for feed through wiring (4 in-4 out) and five ½" knockouts & four non metallic cable knockouts w/ strain clamps
Fitting	Designed to fit 2:12 to 6:12 sloped ceiling pitch
Lamp	Up to 150W, A19, PAR30/38, & LED retrofit
Voltage	120V
Socket	Female E26 socket w/ adjustable swivel socket bracket
<b>Warranty</b>	<b>1 year limited warranty</b>
<b>Listing</b>	
ETL/UL	cULus for damp location
Meets Washington's State energy code for restricted airflow	



CONTACT US- Toll Free: 1-800-937-6925 Fax: 1-888-207-9509 or visit our website at [www.rplighting.com](http://www.rplighting.com)

## Trim Options

	Type	Item#	Finishes	O.D.
	Shower, Lexan, Fresnel Lens	8502FS	Wet location listed Metal trim ring available	8"
	Lexan Flat Opal Albalite Lens	8505AL	Wet location listed Metal trim ring available	8"
	Lexan Drop Opal	8509DR	Wet location listed Metal trim ring available	8"
	Baffle	8574	Black and white	8"
	Cone, Specular	8575	Clear	8"

## Additional Information

1. Adjusts to fit up to 1-1/4" ceiling thickness.
2. 7-3/4" height allows use in 2" x 8" joist construction.
3. 3-port quick connectors for contractor friendly installation.