

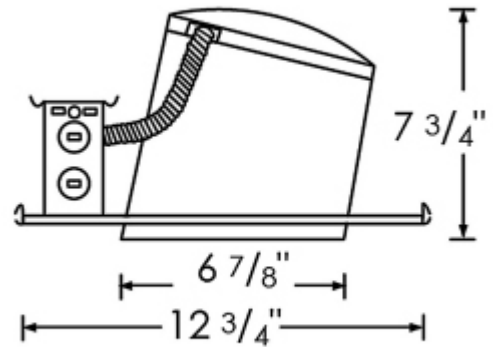


RP

LIGHTING • FANS



Type:
Project:
Comments:
Prepared By:

Part #	8111H
Description:	6" IC super sloped ceiling incandescent housing
Design Features	
Thermal Protection	Protected against misuse of insulation and improper wiring
Bar hangers	Pre installed allowing for position at any point w/in a 24" joist span. Can be turned 90° on plaster frame, & to fit T-bar spine w/out additional clamps for use in drop ceilings.
Nails	Pre installed captive nails on bar hangers
IC Rating	IC rated for direct contact with non cellulose insulation
J Box	Listed for feed through wiring (4 in-4 out) and seven ½" knockouts & four non metallic cable knockouts w/ strain clamps
Fitting	Designed to fit 7:12 to 12:12 sloped ceiling pitch
Lamp	Up to 150W
Voltage	120V
Socket	Swivels to properly align
Warranty	1 year limited warranty
Listing	
ETL/UL	cULus for damp location
Meets Washington's State energy code for restricted airflow	



CONTACT US- Toll Free: 1-800-937-6925 Fax: 1-888-207-9509 or visit our website at www.rplighting.com

Trim Options

	Type	Item#	Finishes	O.D.
	Baffle 150W PAR38 / BR40	8576	White	8"
	Specular Clear Reflector 150W PAR38 / BR40	8577CL	Clear	8"

Additional Information

1. Adjusts to fit up to 1-1/4" ceiling thickness.
2. 7-3/4" height allows use in 2" x 8" joist construction.
3. 3-port quick connectors for contractor friendly installation.