

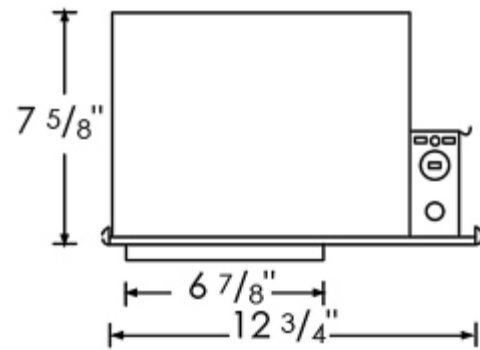


RP



LIGHTING • FANS

| |
|--------------|
| Type: |
| Project: |
| Comments: |
| Prepared By: |

| | |
|---|--|
| Part # | 8111HA |
| Description: | 6" IC airtight super sloped ceiling incandescent housing |
| Design Features | |
| Thermal Protection | Protected against misuse of insulation and improper wiring |
| Bar hangers | Pre installed allowing for position at any point w/in a 24" joist span. Can be turned 90° on plaster frame, & to fit T-bar spine w/out additional clamps for use in drop ceilings. |
| Nails | Pre installed captive nails on bar hangers |
| Wall | Double wall construction |
| IC Rating | IC rated for direct contact with non cellulose insulation |
| J Box | Listed for feed through wiring (4 in-4 out) and seven ½" knockouts & four non metallic cable knockouts w/ strain clamps |
| Fitting | Designed to fit 7:12 to 12:12 sloped ceiling pitch |
| Lamp | Up to 150W |
| Voltage | 120V |
| Socket | Swivels to properly align |
| Warranty | 1 year limited warranty |
| Listing | |
| ETL/UL | cULus for damp location |
| Meets Washington's State energy code for restricted airflow | |



Trim Options

| | Type | Item# | Finishes | O.D. |
|---|--|--------|----------|------|
|  | Baffle 150W PAR38 / BR40 | 8576 | White | 8" |
|  | Specular Clear Reflector 150W PAR38 / BR40 | 8577CL | Clear | 8" |

Additional Information

1. Adjusts to fit up to 1-1/4" ceiling thickness.
2. 7-5/8" height allows use in 2" x 8" joist construction.
3. 3-port quick connectors for contractor friendly installation.