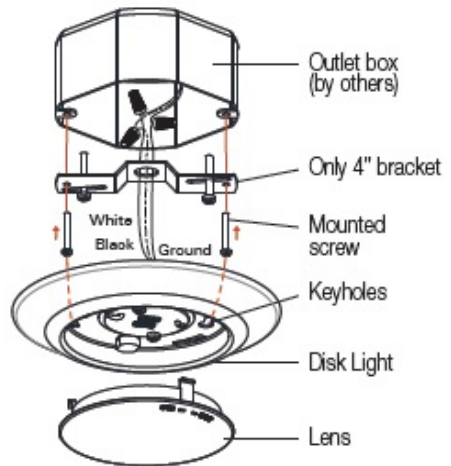


8538

120V or 277V

Catalog #:		Type
Project:		Date
Prepared by:		

6" LED Disc Light



Also available:

As a retrofit with torsion springs and an E26 base adapter

DESCRIPTION

The 8538 is a 6" LED Disc Light that makes upgrading to an energy efficient LED down light solution easier than ever. Flexible for use in both retrofit and new construction applications, and suitable for use in wet locations, this is a ideal choice for most any residential or light-commercial application.

DESIGN FEATURES

Construction

- Spun aluminum housing provides ample heatsinking
- Frosted polycarbonate lens

Electrical

- 120V or 277V
- Triac dimmable down to 10%
- Suitable for use in wet locations
- 50,000 hour projected life
- 8538-90: 92 CRI | 15W | 993Lm *Energy Star
- 8538-80: 80 CRI | 15W | 850Lm
- Max fixture load is 30 fixtures per 600W dimmer
- Retrofit version includes torsion springs for mounting in most 5/8" housings and an E26 base adapter
- Available in 3000 or 4000K

Installation

- Mounting bracket fits most 3/0 (3") or 4/0 (4") j-box applications
- Dimensions: 7-3/8" Ø x 1-1/4" Height

Lens

- Frosted polycarbonate lens protects LEDs and provides a uniform distribution of light

Finish

- Available in Black, Brushed Nickel, Oil Rubbed Bronze, or White

Certifications

- cCSAus
- Energy Star
- 5 year limited warranty

ORDERING

Example: 8538BN-90-3K-R

Model #	Finish	CRI	CCT	Retrofit
8538				
8538	BK : Black BN : Brushed Nickel OB : Oil Rubbed Bronze WH : White	-80 -92	-3K -4K	-R

*Only 90CRI versions qualify for Energy Star

