

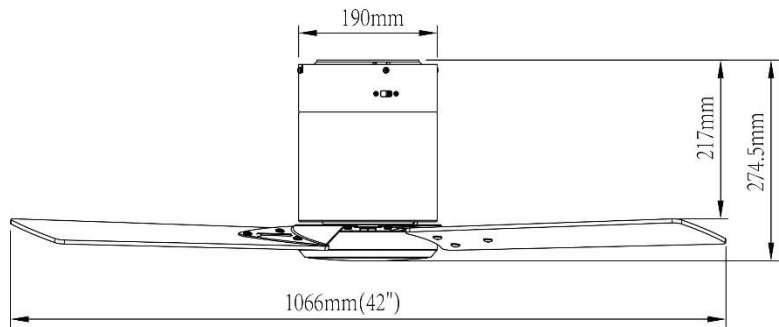


RP

LIGHTING • FANS

Type:	
Project:	
Comments:	
Prepared By:	

SKU:	1021
Family:	BROOT
Product Category:	Fan
Description:	42 inch hugger fan with 3 blades & integrated light kit
Finishes	Brushed Nickel, Oil Rubbed Bronze, White
<b>Blade</b>	
Blade Sweep:	42 inches
Blade Material:	MDF
No. of Blades:	3
Blade Pitch:	12°
Blade Finishes	White, Oil Rubbed Bronze, Walnut, Natural Maple, Brushed Nickel
<b>Motor</b>	
Motor Size:	153 mm x 9mm Silicon Motor
RPM:	230
Watts: (1/2/3/4)	15.7/21.8/33.6/46
Amps:	.40
CFM: (1/2/3/4)	2000/2800/3900/5500
Speeds:	4
Capacitors:	N/A
Reversible (Y/N)	YES
Lead wire:	12"
CFM/W: (1/2/3/4)	127.39/128.44/116.07/119.57
<b>Dimensions</b>	
Height (lowest point)	10.8"
Width (housing)	7.48"
Height (top of blade)	8.54"



<b>Accessories and additional features:</b>	
Light kit capable (Y/N):	<b>Integrated LED</b>
Wattage:	15W
Lumens:	700 (dimmable)
Kelvin:	3000 KELVIN
Remote Controls:	4 speed remote control INCLUDED
Wall Controls:	WC-8 (optional)
<b>Warranty:</b>	<b>Limited Lifetime</b>
Down rods:	None
<b>Shade</b>	
Shade Description:	White opal glass
Shade Material:	Glass
Item # Replacement:	1021G

