

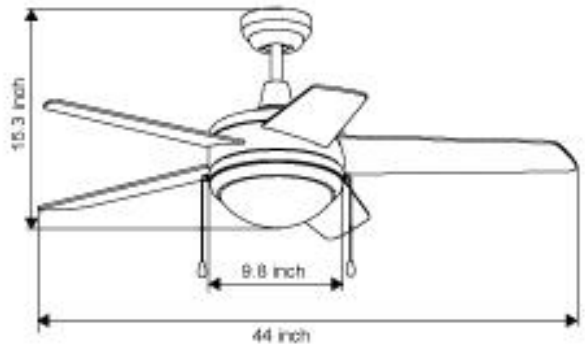


RP

LIGHTING • FANS

Type:	
Project:	
Comments:	
Prepared By:	

SKU:	1042LED		
Family:	Mirage II LED		
Product Category:	Fan		
Description:	44 inch fan w/ 5 blades & integrated LED light kit		
Finishes	Black, Brushed Nickel (shown), Oil Rubbed Bronze, White		
<b>Blade</b>			
Blade Sweep:	44 inches		
Blade Material:	Plywood		
No. of Blades:	5		
Blade Pitch:	12°		
Blade Finishes	Black, Brushed Nickel (shown), Oil Rubbed Bronze, White		
<b>Motor</b>			
Motor Size:	153 mm x 12mm Silicon Motor		
RPM:	95	156	202
Watts:	13.6W	31.9W	47.5 W
Amps:	0.223A	0.344A	0.423A
CFM: (L/M/H)	1872	2995	4066
Speeds:	3		
Capacitors:	Triple		
Reversible (Y/N)	YES		
Lead wire:	76"		
CFM/W: (L/M/H)	137.6	93.9	85.6
<b>Dimensions</b>			
Height (lowest point)	15.3"		
Width (housing)	9.8"		
Height (top of blade)	12-1/4"		



<b>Accessories and additional features:</b>	
Light kit capable (Y/N):	<b>Integrated LED</b>
Wattage:	17W
Lumens:	900 (dimnable)
Kelvin:	3000 KELVIN
Remote Controls:	3 speed remote control (optional)
Wall Controls:	WC-8 (optional)
<b>Warranty:</b>	<b>Limited Lifetime</b>
Down rods:	4" included
<b>Shade</b>	
Shade Description:	White opal glass
Shade Material:	Glass
Item # Replacement:	1004G

