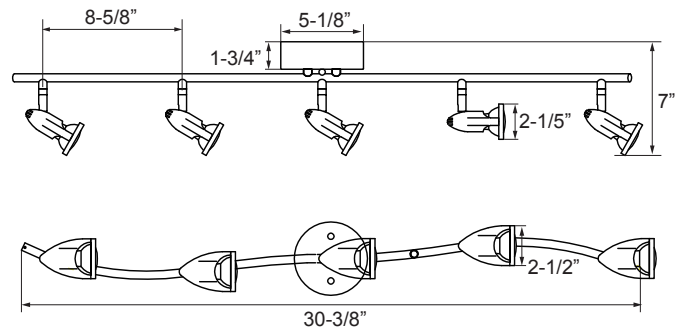


49355

120V

Catalog #:		Type
Project:		Date
Prepared by:		

5 Head LED Light Bar



5 Head LED Light Bar

DESCRIPTION

Contemporary, clean and cool, this eye-catching LED light bar incorporates a subtle wave, providing an instant touch of classic, yet modern design. An ideal choice for enhancing the look and feel of almost any interior space, great for residential kitchens, bars, and hospitality applications.

DESIGN FEATURES

Construction

- Heavy duty, steel construction
- 330° horizontal head rotation
- 90° vertical head rotation

Electrical

- Operating voltage 120V-60Hz
- Dimmable TRIAC, 15-100%
- Suitable for use in damp locations
- 50,000 hour projected life
- Heads draw only 5W each (Due to tolerance values there will be a dispersion when the wattage of each heads is added together)
- 22W | 1400lm | 63.63lm/W
- 330° horizontal head rotation
- Suitable for use in damp locations
- 45° vertical head rotation
- 76° beam spread
- Available in 3000K
- CRI 80

Installation

- Quick and easy, one-person ceiling mount installation

Dimensions

- 30-3/8" L x 5-1/8 W x 7" H

Finish

- Available in brushed nickel (BN)
- Frosted glass lens

Certifications

- cETLus
- 5 year limited warranty

ORDERING

Example: 49355BN

Model #	Finish
49355	
49355	BN : Brushed Nickel

