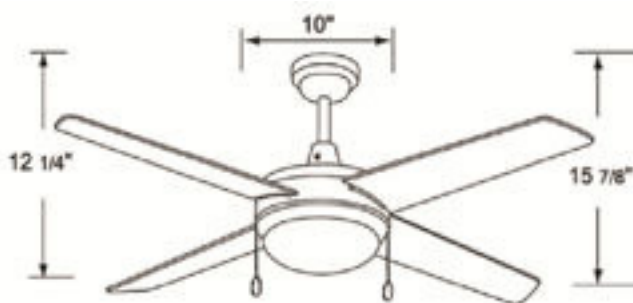


1008LED

120V

Catalog #:		Type
Project:		Date
Prepared by:		

Europa 4-Blade 50" Fan w/ LED Light Kit



1008LED Europa

DESCRIPTION

The clean lines and modern design of The Europa Series add style to any contemporary space. The efficient integrated LED light kit provides ample illumination and energy savings over traditional sources.

DESIGN FEATURES

Motor

- 3-Speed reversible
- 153 x 15 mm
- RPM: 250/110
- 61W | 6600 CFM | 108CFM/W
- CFM/W
- Low: 108 Medium: 160 High: 233
- 3 capacitors
- 76" Lead wire | 4" down rod included
- Motor finishes: Brushed Nickel, Oil Rubbed Bronze, White, & Black

Blades

- 4-Blade, 50" sweep
- MDF construction
- 12° pitch
- Blade finishes: Brushed Nickel, Oil Rubbed Bronze, White, & Black

Light Kit

- Integrated LED Light Kit
- 17W | 1144Lm | 67Lm/W | 2700K
- Shade: Satin white glass
 - Replacement glass: 1079G

Dimensions

- 15.8" Height (lowest point) x 10" Width (housing) x 12.25" Height (top of blade)

Controls:

- Wall: WC-6
- Remote: RC-5



Certifications

- Energy Star
- cULus Listed
- Limited Lifetime Warranty

ORDERING

Example: 1008LED-BN

Model	Blade Finish	
1008LED		
1008LED	BN	Brushed Nickel
	OB	Oil-Rubbed Bronze
	BK	Black
	WW	White



TEL: 800.937.6925 | Fax: 800.207.9509 | www.rplighting.com

Specifications and dimensions subject to change without notice.