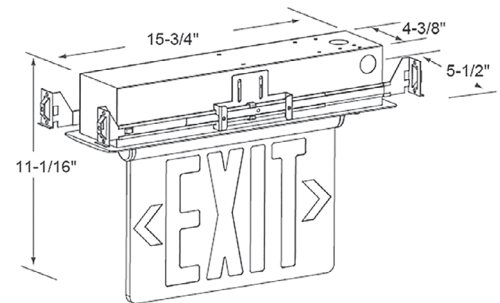


RXL33 Series

120V/277V

Catalog #:		Type
Project:		Date
Prepared by:		

Recessed Edge-lit Exit Sign - Single Face



DESCRIPTION

When normal utility power fails, the internal solid-state transfer switch automatically connects the internal battery to the LED lamps, lighting a path of egress for no less than 90 minutes. When utility power is restored the battery is recharged by the onboard solid-state recharger. Full recharge is accomplished within 24 hours.

DESIGN FEATURES

Construction

- High impact-flame retardant thermoplastic faceplate
- Clear acrylic faceplate
- Recessed, low-profile design
- Completely self-contained
- Fully automatic operation

Electrical

- 120/277V
- Operating temperature: 10°C (50°F) to 40°C (104°F)
- Contains 4.8V Ni-cd rechargeable battery
- Automatic, low voltage disconnect protects battery from deep discharge
- Energy consumption of less than 5 watts
- Estimated 25 year LED lamp life
- 90 minutes of illumination in case of power failure

Installation

- Included bar hanger allow the recessed housing to be positioned at any point within a 24" joist span
- Exit panel will pivot up to 90° for recessed wall or sloped ceiling installation
- Removable directional indicators included
- Easy, one-person installation

Dimensions (W x D X H)

- 14-9/16" x 3-1/8" x 7-13/16"

Finish

- RW Red with white housing
- RBA Red with brushed aluminum housing
- GW Green with white housing
- GBA Green with brushed aluminum housing

Certifications

- ETL listed for damp location
- CEC Title 20 Compliant
- 5 year limited warranty

ORDERING GUIDE

Example: RXL33-RW

Model #	Finish
RXL33	
RXL33	RW : Red with white housing RBA : Red with brushed aluminum GW : Green with white housing GBA : Green with brushed aluminum

TEL: 800.937.6925 | Fax: 800.207.9509 | www.rplighting.com

Specifications and dimensions subject to change without notice.

8/29/2023 R1



RP LIGHTING · FANS