

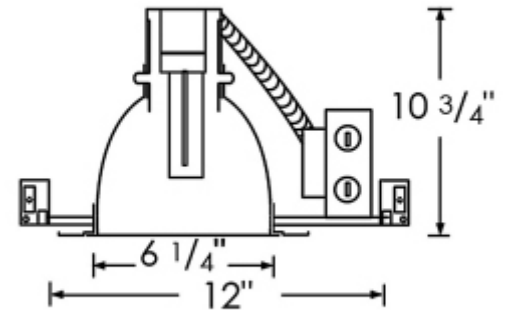


RP





LIGHTING • FANS

Type:
Project:
Comments:
Prepared By:

Part #	8150H-Exx (non dimmable) 8150H-Dxx (dimmable)
EM option	8150H-EM (emergency)
Description:	6" vertical compact fluorescent housing
Design Features	
Thermal Protection	Protected against misuse of insulation and improper wiring
Bar hangers	Pre installed allowing for position at any point w/in a 24" joist span. Can be turned 90° on plaster frame, & to fit T-bar spine w/out additional clamps for use in drop ceilings.
IC rating	Non-IC
Nails	Pre installed captive nails on bar hangers
J Box	Listed for feed through wiring (4 in-4 out) and five 1/2" knockouts & four non metallic cable knockouts w/ strain clamps
Connectors	3-port quick connectors
Lamp	Horizontally mounted DTT (Double twin tubes or TT
Wattage	1x26W DTT, 1x32W TRT, 1x42W TRT vertically mounted
Ballast	HPF (High power factor) 4-pin type
Voltage	120/277V



Trim Options

	Type	Item#	Finishes	O.D.
	Reflector	8690	Finishes: CL, WH	8"
	Reflector with Cross Louver	8692	Finishes: CL, WH	8"
	Clear Reflector with White or Black Baffle	8695	Clear with White Clear with Black	8"
	Clear Reflector with White Baffle and Frosted Lens	8696	Finishes: WH	8"

Additional Information

1. Adjusts to fit up to 1-1/4" ceiling thickness.
2. Optional Emergency option backup unit provides 90 minutes of illumination when normal power source fails.