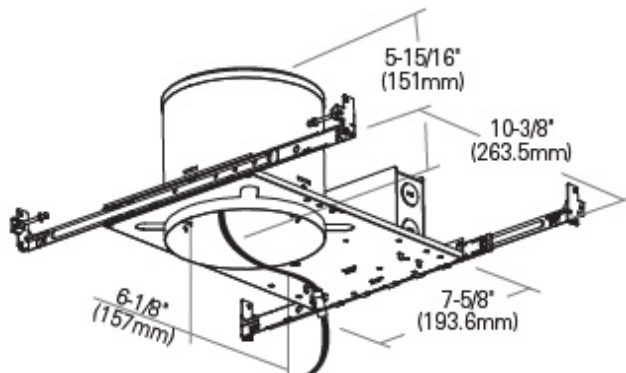


8117HA

120V - 60 Hz

Catalog #:		Type
Project:		Date
Prepared by:		

6" LED IC Airtight Shallow Frame-In



DESCRIPTION

An ideal solution for affordability, efficiency, safety, and flexible design aesthetics. The 8117HA shallow housing and trim combo balances power, efficiency and cost to bring you the options needed to complete a variety of new construction residential or commercial projects with a reliable and modern LED down light solution.

DESIGN FEATURES

Electrical - Housing

- 120V - 60 Hz
- IC Rated for direct contact with batt type fiberglass insulation

Electrical - Trims

- 120V - 60Hz
- 50,000 hour projected life
- Dimmable Triac or ELV, 10-100%

Housing

- Sturdy aluminum construction
- Suitable for use in new construction applications
- 5-15/16" height allows for use in 2" x 6" joist construction
- J-Box is listed for through-branch circuit wiring (4in - 4out), with five 1/2" knockouts and four non-metallic cable knockouts with strain clamps
- 3-port quick connectors pre-installed in all J-Boxes
- Heavy gauge captive bar hangers included for ceiling joist or suspended "T" construction
- Bar hangers are adjustable to 24" with 4 captive nails included
- Adjustable for ceiling thicknesses up to 1" thick

EM Option

- Only available with 8523-E, 8523-HO-E, 8562, and 8568 trims
- RP Lighting 4782EM emergency battery pack factory installed
 - Emergency Battery Output = 9W
 - Emergency Lumen Output = 9W x Trim L/W

Dimensions

- Size: 10-3/8" x 7-5/8" x 5-15/16"
- Aperture: 6-1/8"

Certifications

- cETLus listed for damp location (wet trims available)
- IC Rated for direct contact with batt type fiberglass insulation
- Trim LED Light Source: 5 year limited warranty
- Housing & Other Components: 1 year limited warranty

IC
RATED



Trim LED Light Source
Housing / Other Components

TEL: 800.937.6925 | Fax: 800.207.9509 | www.rplighting.com

Specifications and dimensions subject to change without notice.

6/26/23 R3



RP LIGHTING · FANS


8117HA

120V-60Hz

LED Trim Ordering Information

ORDERING GUIDE


Example: 8117HA

Housing #	EM Option
 8117HA	
8117HA	blank -EM* : no EM option : adds EM Battery Backup

* only available with 8523-E, 8523-HO-E, 8562, and 8568 trims

ORDERING GUIDE

Example: 8523WH-90-3K-E

Model #	Finish	CRI	CCT	EM
 8523	WH			-E
8523 White Baffle	WH : White	-90 -HO-90 *	-3K -4K	-E** : EM Trim Option - 8117HA-EM housing only

*HO-90 only available in -3K

** -E option only available in -3K; for 8117HA-EM only

ORDERING GUIDE

Example: 8562WH-80-3K

Model #	Finish	CRI	CCT
 8562		-80	
8562 6" 900lms 13W Gimbal	WH : White BK : Black OB : Oil Rubbed Bronze BN : Brushed Nickel	-80 : 80 CRI	-3K : 3000K

ORDERING GUIDE

Example: 8563WH-90-3K

Model #	Finish	CRI	CCT
 8563		-90	
8563 6" 795lms 13W Reflector	WH : White BK : Black * OB : Oil Rubbed Bronze BN : Brushed Nickel CL : Clear	-90 : 90 CR	-3K : 3000K -4K : 4000K

* only available in 4K

ORDERING GUIDE

Example: 8568WH-90-4K

Model #	Finish	CRI	CCT
 8568		-90	
8568 6" LED Baffle Trim with Lens; 17W, 1240 lms	BK : Black * OB : Oil Rubbed Bronze CL : Clear * WH : White *	-90 : 90 CRI	-3K : 3000K -4K : 4000K

* only available in 4K