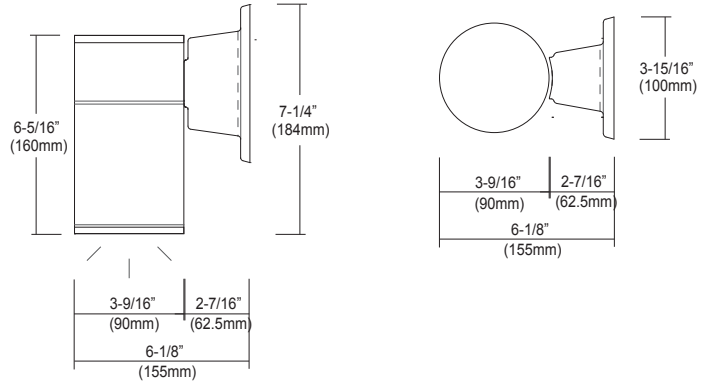


4423

AC120V

Catalog #:		Type
Project:		Date
Prepared by:		

3" LED Cylinder Down Light



DESCRIPTION

The Outdoor LED Cylinder Family features wet location rated wall mount style cylinders with down light and up & down light options. Choose from energy efficient 15W or 20W AC modules, with finishes available in white, black, brushed nickel, or oil-rubbed bronze. Features Triac dimming down to 5%, using most standard dimmers. Utilizes AC circuit on board technology for cooler operating temperature and extended lifetime.

DESIGN FEATURES

Construction

- Aluminum die-cast with powder coat finish

Electrical

- 120V Direct AC operation with DOB
- Triac dimming down to 5%
- Various wattages of modules available
- Cooler operating temperature without driver
- Stable driving current prevents inrush damage to circuit switches and modules
- Available in 80CRI, 3000K & 4000K

Installation

- Easy surface mounting for simple installation using included anchors and screws

Lens

- Clear acrylic lens protects LEDs while allowing for optimum lumen output
- 62° Beam angle

Finish

- White, black, brushed aluminum, or oil-rubbed bronze

Certifications

- cCSAus for wet location
- 5 year limited warranty



4423

3" LED Cylinder Downlight

Specification & Ordering

Model #	Dimensions (H x W)	Lumens	Watts
4423-15	7 1/4" x 3 9/16" 62° distribution	1,145 Lm	15W
4423-20		1,418 Lm	20W

ORDERING

Example: 4423BK-20-3K

Model #	Finish	Watts	CCT
4423			
4423	WH : White BK : Black BN : Brushed Aluminum OB : Oil-rubbed Bronze	-15 : 15W -20 : 20W	-3K : 3000 K -4K : 4000 K

LED Cylinder Down Light