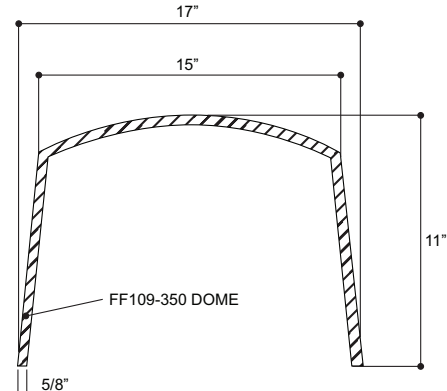


# FF109-350

Catalog #:		Type
Project:		Date
Prepared by:		

## Recessed Down Lighting Fire Cover



### DESCRIPTION

The FF109-350 Fire Rated Cover is designed to reduce the ability of the insulation catching fire. Makes your recessed lights fire rated and gives you piece of mind that you are protected against accidental insulation fires. The FF109-350 is easy to install and fits most IC Rated fixtures. In a fire, the intumescent material expands 5 times of its original thickness, closing the vent holes and preventing flames to spread.

### DESIGN FEATURES

#### Features

- 60 minute protection
- Fits most popular IC rated fixtures
- For use with recessed incandescent, fluorescent or LED light fixtures
- Can be used in L500 floor/ceiling assemblies
- Lightweight (approx 2.5 lbs)
- Easy Installation - can be fitted in seconds - no screws, drilling or additional sealant required
- Flexible material enables cover to be fitted around obstructions or retro-fitted
- Enhances the acoustic protection of the ceiling
- Two vent holes in the cover reduce the risk of overheating of the light in normal use
- In a fire, the intumescent material expands 5 times of its original thickness, closing the vent holes and preventing flame spread
- Easy to remove and re-install for fixture maintenance
- Reduces heat loss through the fixture
- Maintenance free

#### Certifications

- Warnock Hersey - Intertek certified to maintain the fire rating (1 hour) of fire-rated floor / ceiling assemblies

#### ORDERING

Example: FF109-350

Model #	
FF109-350	FF109-350

