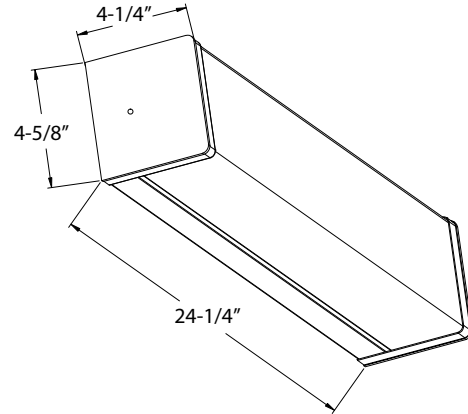


# 4115DM

120V-277V Universal Voltage

|              |  |      |
|--------------|--|------|
| Catalog #:   |  | Type |
| Project:     |  | Date |
| Prepared by: |  |      |

## 2' Stairwell - Dimmable 0-10V



### DESCRIPTION

Safety, reliability, and efficiency are just a few things that come to mind when thinking stairwell lighting. Our LED stairwell lights deliver just that in a simple and practical design. Increase energy savings with the built-in motion sensor, by only lighting the stairwell when occupied. Available in dimming and non-dimming option.

### DESIGN FEATURES

#### Construction

- Heavy-duty steel construction
- Available in 2' (4115) and 4' (4116)
- 24-1/4" L x 4-1/4" W x 4-5/8" H

#### Electrical

- 120V-277V Universal Voltage
- Dimmable 0-10V
- 20W, 2100lms, 105lms/W
- 50,000 hour projected life
- Available in 80CRI, 4000K

#### Installation

- Ceiling or wall mount

#### Lens

- High-efficiency acrylic lens
- 120° beam angle

#### Finish

- White finish

#### Available options

- Motion Sensor: 4761MS
- Microwave motion sensor  
4115DMWH-OS
- Emergency Battery Backup  
4115DMWH-EM
- Both  
4115DMWH-OS-EM

#### Certifications

- cETLus Certified
- Limited 5 Year Warranty

### ORDERING

Example: 4115DM-OS-EM

| Model # | Motion Sensor and Battery  |
|---------|--|
| 4115DM  |  |
| 4115DM  | -OS : Microwave motion sensor<br>-EM : Emergency battery backup<br>-OS-EM : Both |

TEL: 800.937.6925 | Fax: 800.207.9509 | [www.rplighting.com](http://www.rplighting.com)

Specifications and dimensions subject to change without notice.

