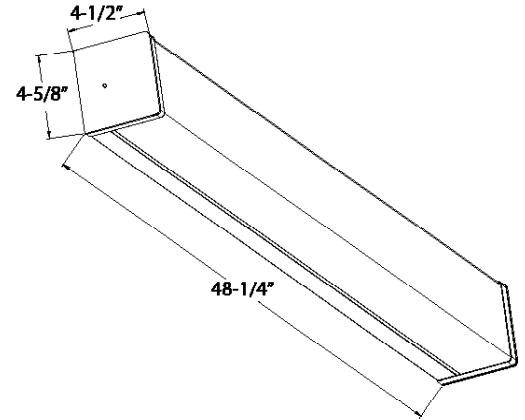


4116DM-1

120V-277V Universal Voltage

Catalog #:		Type
Project:		Date
Prepared by:		

4' Stairwell - Dimmable 0-10V



DESCRIPTION

Safety, reliability, and efficiency are just a few things that come to mind when thinking stairwell lighting. Our LED stairwell lights deliver just that in a simple and practical design. You can increase your energy savings with the optional add Motion/Daylight/Occupancy sensor by only lighting the stairwell when occupied or when not enough ambient lighting is available. With the available Emergency Battery Pack option, this increases your available applications for this useful fixture.

DESIGN FEATURES

Construction

- Heavy-duty steel housing
- Frosted acrylic lens
- White Finish

Electrical

- 120V-277V Universal Voltage
- Triac/1-10V Dimming
- 40W | 5110lms | 127lms/W
- 50,000 hour projected life
- 4000K | 80 CRI
- 120° beam spread

Emergency (EM) Option

- RP Lighting 4782-1EM emergency battery back up factory installed (see separate 4782-1EM spec sheet for further details)
- Emergency Output = 9W
- Emergency lumen output - 9W x fixture L/W (127 L/W) = 1,143 nominal lumens

Installation

- Ceiling or wall mount

Dimensions

- 48 1/4" L x 4 1/2" W x 4 5/8" H

Daylight/Occupancy Sensor MS Option

- Microwave Sensor installed behind lens
- Daylight Sensor (factory default = Disabled)
 - o Ambient Range = 0.5 foot-candle - 14 foot-candle
 - o Stand-by Dimming Level = 10%, 20%, or 50%
- Occupancy Sensor
 - o Detection Area (factory default = 100%)
 - » Settings = 10%; 50%; 75%; 100%
 - o Hold Time at 100% (factory default = 30 seconds)
 - » Settings = 5s, 30s, 1m, 3m, 20m, 30m
 - o Stand-by (factory default = 5 seconds)
 - » Settings = 0s, 5s, 5m, 30m, 60m
- See Installation Instructions for further details

Certifications

- cCSAus Certified
- DLC 5.1 Listed
- LED Light Source: 5 Year Limited Warranty
- Other Components: 1 Year Limited Warranty
- Listed for Damp Location

ORDERING GUIDE

4116DM-1WH-MS-EM

Model #	Finish	Sensor Option	EM Option
4116DM-1	WH		
4116DM-1	WH : White	blank : No Sensor -MS : add Daylight / Occupancy Sensor	blank: No EM Option -EM: add Emergency battery back-up

* For 2' Stairwell see 4115-1 or 4115DM-1
* For 4' Non-Dimming Stairwell see 4116-1



LED Light Source
Other Components

TEL: 800.937.6925 | Fax: 800.207.9509 | www.rplighting.com

Specifications and dimensions subject to change without notice.

10/8/24 R1



RP LIGHTING • FANS

4116DM-1 - 4' Stairwell, 0-10V Dimming