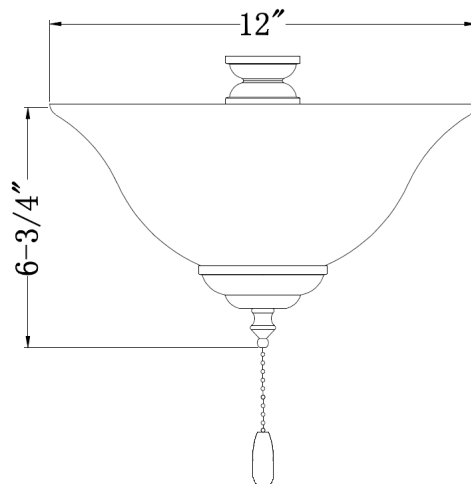


1RP18__-SG-ES

120V

| | | |
|--------------|--|------|
| Catalog #: | | Type |
| Project: | | Date |
| Prepared by: | | |

Ceiling Fan Light Kit



DESCRIPTION

A versatile Ceiling Fan Light Kit solution available in several color options that not only matches your ceiling fan finish it will also match your home decor.

DESIGN FEATURES

Construction

- Durable Steel Base
- Satin Glass Lens

Electrical

- 120V-60Hz
- 25,000 hour projected life
- 3x9W, 800lms, E26 LED A19, Lamps Included
- Dimmable TRIAC, 10-100%
- Available in 3000K
- CRI 90

Finish

- Available in brushed nickel, oil rubbed bronze, black or white

Dimensions

- W 12" x H 6-3/4"

Match With These Energy Star Fans

- 1032 - Traditional 5-Blade, 52" Sweep

Certifications

- cETLus listed
- 3 year limited warranty for lamp
- 5 year limited warranty for light kit

ORDERING

Example: 1RP18OB-SG-ES

| Model # | Finish |
|---------------|---|
| 1RP18__-SG-ES | |
| 1RP18__-SG-ES | BN : Brushed Nickel OB : Oil Rubbed Bronze WW : White BK : Black |



Lamp Only



Light Kit Only

