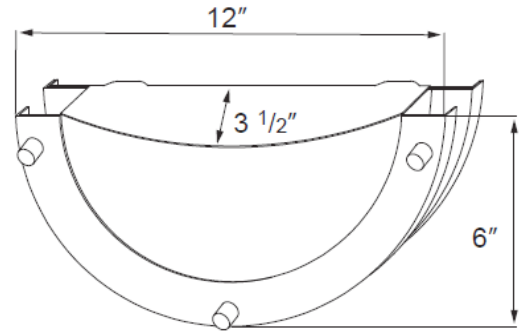


4505-30

120V

Catalog #:		Type
Project:		Date
Prepared by:		

Half-Circle Wall Sconce



DESCRIPTION

This clean and contemporary 12" LED wall sconce enhances any decor with its elegant profile. The listing provides confidence in its energy efficient design.

DESIGN FEATURES

Construction

- Durable steel mounting frame
- White Opal acrylic lens

Electrical

- 120V-60Hz
- Dimmable TRIAC or ELV, 10-100%
- 50,000 hour projected life
- 12W | 840 lms (delivered)
- 3000K | 80 CRI

Dimension

- 6" H x 12" W x 3.5" D

Certifications

- cETLus listed for damp location
- LED Lamp: 5 Year Limited Warranty
- Other Components: 1 Year Limited Warranty

ORDERING GUIDE

Example: 4505-30-BN

Model	Finish
4505-30	
4505-30	-BN : Brushed Nickel

TEL: 800.937.6925 | Fax: 800.207.9509 | www.rplighting.com

Specifications and dimensions subject to change without notice.



10/4/24 R2



4505-30 - Half-Circle Wall Sconce