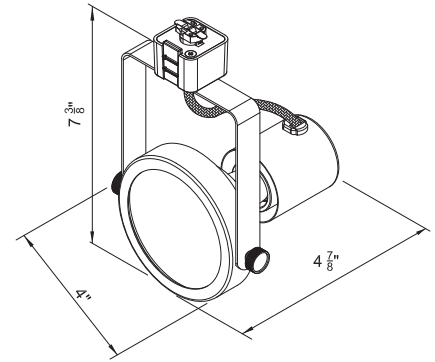


7526-L

120V

Catalog #:		Type
Project:		Date
Prepared by:		

LED Gimbal Ring Track Head with Lamp



DESCRIPTION

Clean and cool, simple attractive aesthetics with functionality providing an abundance of light for your interior space. The mini confined heads and universal lamp holders provide compact, flexible lighting and is ideal for residential, retail and commercial applications.

DESIGN FEATURES

Construction

- Aluminum lamp holder, gimbal ring, and arm
- J-track Compatible Connector
- Factory conversion to H-Track Compatible is available

Electrical

- 120V - 60Hz AC
- E26 PAR30 LED Lamp included *
 - 10W | 766 lms (source) | 739 lms (delivered)
 - 3000K | 80 CRI
- Dimmable TRIAC or ELV, 15-100%
- 40° Beam Spread
- 15,000 Hour Project Life
- Operating temp.: -18°C (0°F) to 45°C (113°F)

Dimensions

- 7-1/4" H x 4-7/8" D x 2-5/8" W

Certifications

- UL Listed for dry location
- 1 year limited warranty

ORDERING GUIDE

Example: 7526BK-L

Model #	Finish	Lamp
7526		-L
7526	BA : Brushed Aluminum BK : Black WH : White	-L : lamp included

* Included PAR30 LED lamp listed as HTP30SN40DA535/H30K



TEL: 800.937.6925 | Fax: 800.207.9509 | www.rplighting.com

Specifications and dimensions subject to change without notice.

10/4/24 R2



RP | LIGHTING • FANS

7526-L - LED Gimbal Ring Track Head