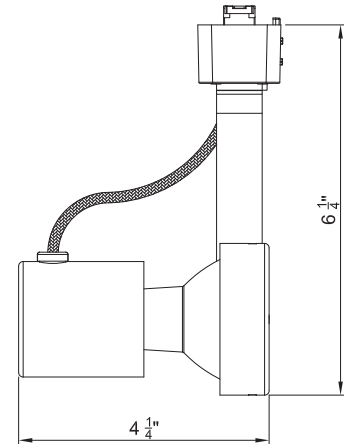


7528-L

120V

Catalog #:		Type
Project:		Date
Prepared by:		

LED Gimbal Ring Track Head with Lamp



DESCRIPTION

Clean and cool, simple attractive aesthetics with functionality providing an abundance of light for your interior space. The mini confined heads and universal lamp holders provide compact, flexible lighting and is ideal for residential, retail and commercial applications.

DESIGN FEATURES

Construction

- Metal lamp holder, gimbal ring, and arm
- J-track Compatible Connector
- Factory conversion to H-track Compatible is available

Electrical

- 120V - 60Hz AC
- Lamp included: PAR20 *
 - 7W | 500 lms (delivered)
 - 3000K | 80 CRI
- Dimmable TRIAC or ELV, 15-100%
- 40° Beam Spread
- 15,000 Hour Project Life

Dimensions

- 6-1/2" H x 4-1/4" D x 2-5/8" W

Certifications

- UL Listed
- 1 year limited warranty

ORDERING GUIDE

Example: 7528BK-L

Model #	Finish	Lamp
7528		-L
7528	BK : Black WH : White	-L : lamp included

* Included PAR20 LED lamp listed on Energy Star website as HTP2040DB524

