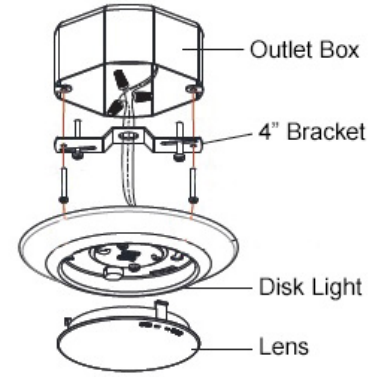
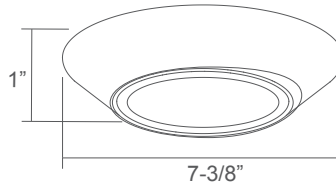


8538-HO-90

120V

Catalog #:		Type
Project:		Date
Prepared by:		

6" LED Low-Profile High Output Flat Lens Disk Light



DESCRIPTION

The 8538-HO is a 6" LED High Output Disk Light that has the higher lumen output of an 80 CRI unit but with the color rendering of 90 CRI. Save on the cost of a can, suitable for J-box installations. Appropriate for use in wet locations, this is a great choice for most any residential or light-commercial application.

DESIGN FEATURES

Construction

- Durable steel construction
- Frosted polycarbonate lens

Electrical

- 120V-60Hz
- Dimmable TRIAC or ELV, 10-100%
- 50,000 hour projected life
- 8538-HO-90: 15W | 1144 lms (delivered)
- 3000K or 4000K | 90 CRI

Installation

- Mounting bracket included fits most 3" or 4" JBox application
- -R : Retrofit option includes torsion springs and E26 socket adapter for mounting in 5/6" housings

Dimensions

- Height: 1" x Width: 7-3/8"

Certifications

- cCSAus Listed for use in wet locations
- CEC JA8 Compliant
- LED Light Source: 5 year limited warranty
- Suitable for use in closets when installed in accordance to NEC Section 410.16 (C)(1)

ORDERING GUIDE

Example: 8538WH-HO-90-3K

Model #	Finish	CRI	CCT
8538			
8538	WH : White	-HO-90 : High Output, 90 CRI	-3K : 3000K -4K : 4000K

Refer to the 8538 Spec Sheet for other finishes, CRI, and CCT options

8538-HO - 6" Flat Lens HO Disk



LED Light Source

Other Components

