

Ceiling Fan

Installation Guide

Read and Save These Instructions

For Model: 1057-L



TABLE OF CONTENTS

	Pages
TOOLS & MATERIALS REQUIRED	1
PACKAGE CONTENTS	1
SAFETY RULES	2
MOUNTING OPTIONS	3
HANGING THE FAN	4
STANDARD CEILING INSTALLATION	4
CLOSE-TO-CEILING INSTALLATION	5
MAKING ELECTRICAL CONNECTIONS	6
ELECTRICAL CONNECTIONS (FOR OPTIONAL WALL CONTROL)	7
FINISHING THE INSTALLATION	7
FAN BLADES ASSEMBLY AND BLADE BRACKETS INSTALLATION	8
LIGHT KIT INSTALLATION	9
OPERATING YOUR FAN	10
TROUBLESHOOTING	11

TOOLS AND MATERIALS REQUIRED

- Ladder
- Pliers
- Wire Strippers
- Phillips Screwdriver



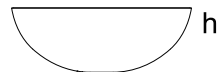
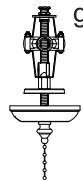
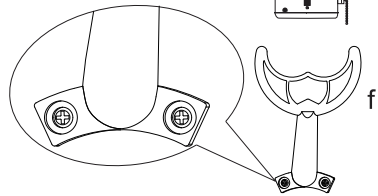
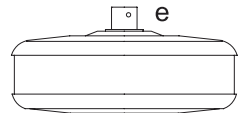
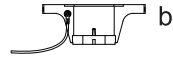
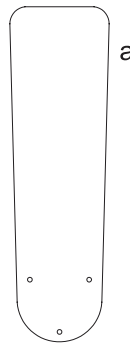
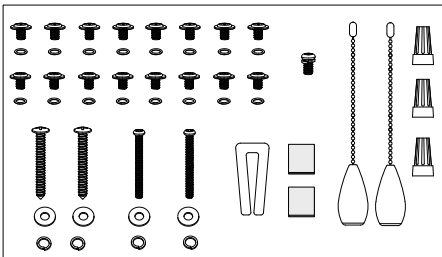
PACKAGE CONTENTS

Unpack your fan and check the contents. You should have the following items:

Parts	Quantity
a. Blade set	5
b. Hanger bracket	1
c. Canopy	1
d. Downrod / ball assembly	1
e. Fan motor / housing assembly	1
f. Blade bracket set	5
g. Light kit	1
h. Glass shade	1

i. Screw Package

- 1) Mounting hardware :
 wood screws (2), washers (2)
 hanger bracket screws (2) & washer (2)
 wire nuts (3)
- 2) Blade attachment hardware:
 screws (16), fiber washers (16)
 spare screw (1) for blade bracket
- 3) Pull chain and knob (2)
- 4) Balance Kit (1)



SAFETY RULES

1. To reduce the risk of electric shock, ensure electricity has been turned off at the circuit breaker or fuse box before beginning.
2. All wiring must be in accordance with the National Electrical Code and local electrical codes. Electrical installation should be performed by a qualified licensed electrician.
3. **WARNING:** To reduce the risk of electrical shock and fire, do not use this fan with any solid-state fan speed control device.
4. **WARNING:** To reduce the risk of personal injury, use only the two steel screws (and lock washers) provided with the outlet box for mounting to the outlet box. Most outlet boxes commonly used for the support of lighting fixtures are not acceptable for fan support and may need to be replaced, consult a qualified electrician if in doubt.
5. The outlet box and support structure must be securely mounted and capable of reliably supporting a minimum of 50 lbs(22kgs) . Use only UL Listed outlet boxes marked "**FOR FAN SUPPORT**".
6. The fan must be mounted with a minimum of 7 Ft.(2.1M) clearance from the trailing edge of the blades to the floor.
7. Do not operate reversing switch while fan blades are in motion. Fan must be turned off and blades stopped before reversing blade direction.
8. Wooden blades are not intended for storage or installation in spaces that are not temperature controlled. To avoid issues with blade warping do not store or install ceiling fans in areas without air conditioning.
9. Avoid placing objects in the path of the blades.
10. To avoid personal injury or damage to the fan and other items, be cautious when working around or cleaning the fan.
11. Do not use water or detergents when cleaning the fan or fan blades. A dry soft cloth or lightly dampened cloth will be suitable for most cleaning.
12. After marking electrical connections, spliced conductors should be turned upward and pushed carefully up into outlet box. The wires should be spread apart with the grounded conductor and the equipment-grounding conductor on one side of the outlet box.
13. Electrical diagrams are reference only. Light kit that are not packed with the fan must be UL Listed and marked suitable for use with the model fan you are installing. Switches must be UL General Use Switches. Refer to the Instructions packaged with the light kits and switches for proper assembly.

WARNING

TO REDUCE THE RISK OF FIRE, ELECTRIC SHOCK OR PERSONAL INJURY, MOUNT FAN TO OUTLET BOX MARKED "ACCEPTABLE FOR FAN SUPPORT".

WARNING

TO REDUCE THE RISK OF PERSONAL INJURY, DO NOT BEND THE BLADE BRACKETS (ALSO REFERRED TO AS FLANGES) DURING ASSEMBLY OR AFTER INSTALLATION. DO NOT INSERT OBJECTS IN THE PATH OF THE BLADES.

MOUNTING OPTIONS

If there isn't an existing UL listed mounting box, then read the following instructions. Disconnect the power by removing fuses or turning off circuit breakers.

Secure the outlet box directly to the building structure. Use appropriate fasteners and building materials. The outlet box and its support must be able to fully support the moving weight of the fan (at least 50 lbs). Do not use plastic outlet boxes.

Figures 1,2 and 3 are examples of different ways to mount the outlet box.

Note: You may need a longer downrod to maintain proper blade clearance when installing on a steep, sloped ceiling. (Fig. 3)

- If your ceiling angled is greater than 12°, you need an angled mounting kit (Slop ceiling adapter sold separately).

To hang your fan where there is an existing fixture but no ceiling joist, you may need an installation hanger bar as shown in Figure 4.

Fig.1

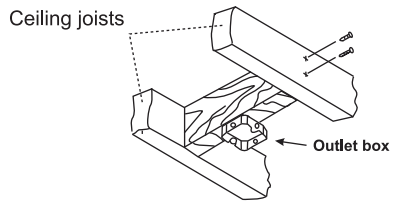


Fig.2

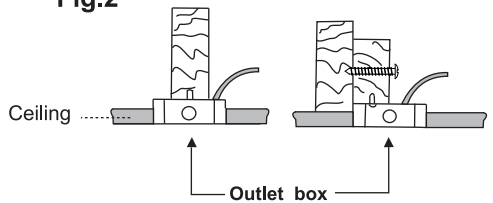


Fig.3

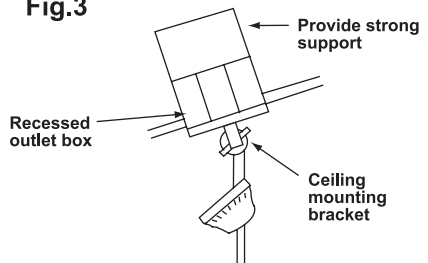
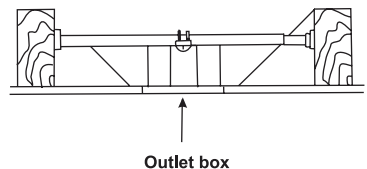


Fig.4



HANGING THE FAN

REMEMBER TO TURN OFF THE POWER. Follow the steps below to hang your fan properly.

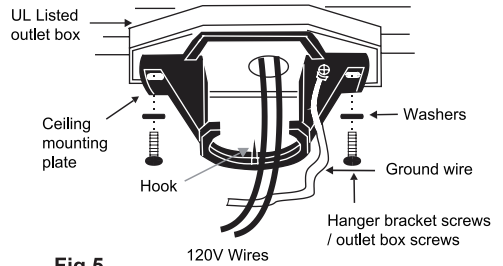


Fig.5

STANDARD CEILING INSTALLATION

Step 1.

Secure the hanger bracket to the ceiling outlet box using screws and washers included with outlet box. (Fig.5)

Step 2.

Loosen two set screws and remove the hitch pin and lock pin from the top coupler of the motor assembly.

Step 3.

Loosen ball screw to free cross pin and remove ground screw, and remove the cross pin and slide ball off the rod.

Step 4.

Carefully feed fan wires up through the downrod. Thread the rod into the coupler, make sure the wires do not get twisted. Align holes and replace hitch pin and lock pin, then tighten set screws firmly against downrod.

Step 5.

Place canopy over downrod. Reinstall hanging ball into the rod being sure the cross pin is inserted through the rod, wires are not twisted, tighten set screw and ground screw.

Step 6.

Lift motor / housing assembly and place hanging ball onto hanger bracket. Rotate until the check groove has dropped into the notch of the hanging ball and seats firmly. (Fig.7)

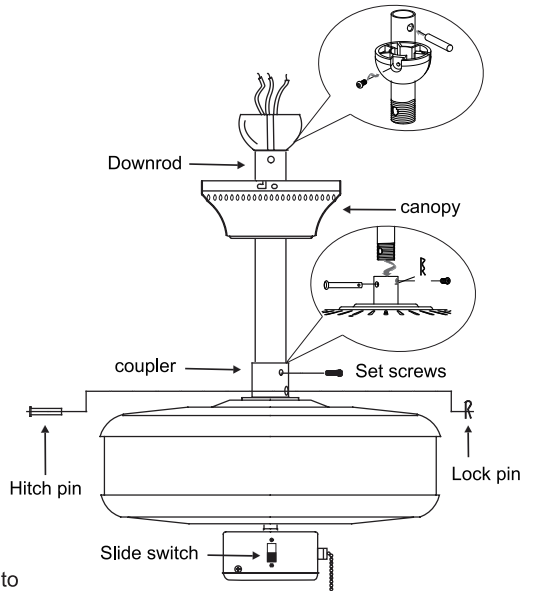


Fig.6

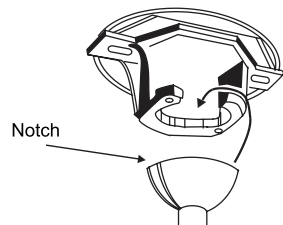


Fig.7

MAKING ELECTRICAL CONNECTIONS

BEFORE YOU BEGIN, TURN OFF THE ELECTRICITY.

Follow the steps below to connect the fan to your household wiring. Use the wire connecting nuts supplied with your fan.

Step 1.

Connect Black(Hot) fan wire to Black outlet wire, white (Neutral) fan wire to white outlet wire. Connect green or bare copper wire from outlet box to the hanger bracket and downroll ball green ground wires together. (Fig.A)

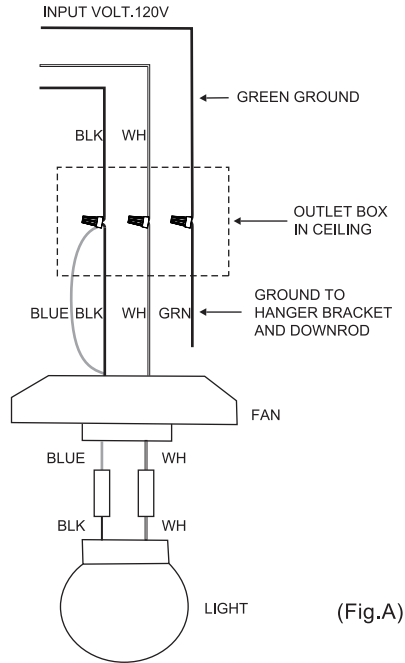
If an additional blue lite kit wire is present, then also connect the blue wire to black wire. Secure all connections with electrical tape. Make sure there are no loose strands or connections.

Step 2.

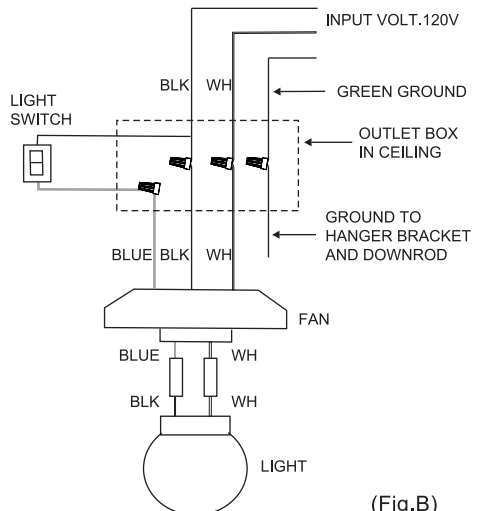
After completing wiring connections, turn all splices upward and carefully push into outlet box.

Separate blue and black wires on one side of the outlet box, the white and green wires on the other side.

WARNING: TO REDUCE THE RISK OF FIRE, ELECTRIC SHOCK, OR OTHER PERSONAL INJURY. MOUNT FAN ONLY ON AN OUTLET BOX OR SUPPORTING SYSTEM MARKED ACCEPTABLE FOR FAN SUPPORT.



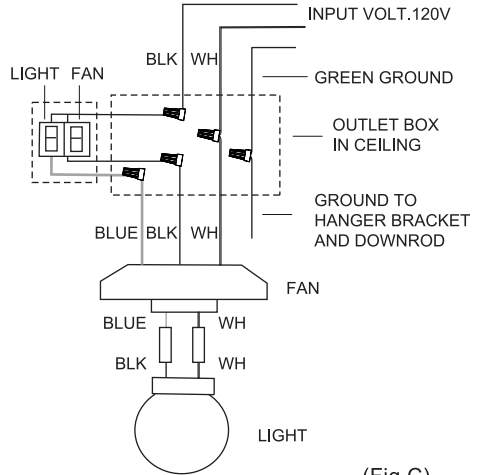
(Fig.A)



(Fig.B)

ELECTRICAL CONNECTIONS (FOR OPTIONAL WALL CONTROL)

Fig. B & C illustrate the wiring connections for optional wall control (The wire color out of wall control may vary, see wall control's installation manual for correct wire connections.)



(Fig.C)

FINISHING THE INSTALLATION

STANDARD CEILING INSTALLATION

Tuck all connections neatly into ceiling outlet box. Remove two screws from the hanger bracket and loosen the other two screws around 1/4". Attach canopy to hanger bracket by placing screws into slot in canopy. Twist clockwise to lock in place, tighten four screws firmly. (Fig.10)

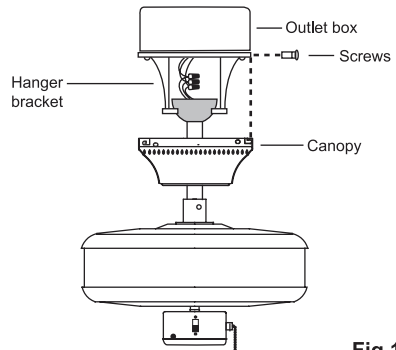


Fig.10

FAN BLADES ASSEMBLY AND BLADE BRACKETS INSTALLATION

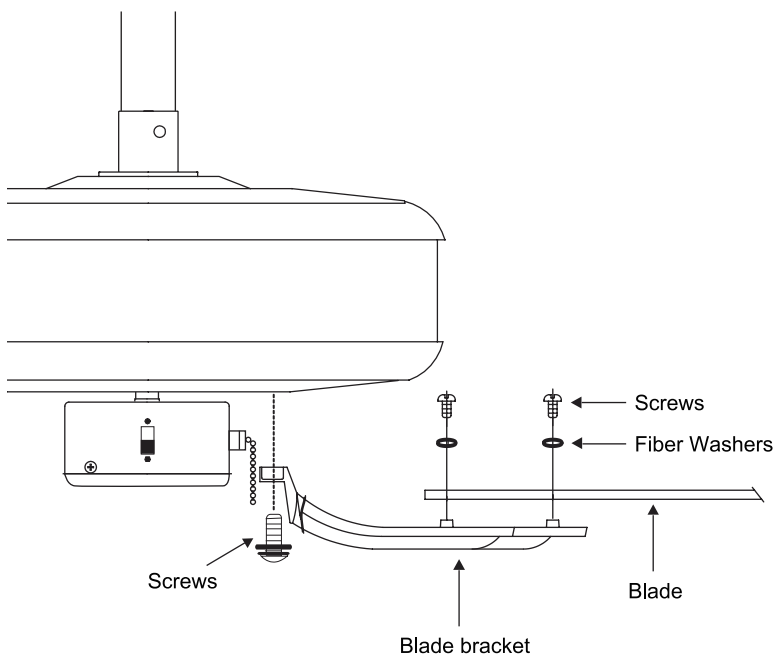
Remove rubber motor stoppers before attaching fan blade brackets.

Step 1. Attach each fan blade to a blade bracket with three screws and fiber washers.

Tighten screws securely, do not overtighten.

Step 2. Fasten each blade assembly to motor by using two screws attached to the blade bracket.

CAUTION: TO REDUCE THE RISK OF PERSONAL INJURY, DO NOT BEND THE BLADE BRACKETS WHEN INSTALLATION. WHEN BALANCING THE BLADES, OR CLEANING THE FAN, DO NOT INSERT FOREIGN OBJECTS IN BETWEEN ROTATING FAN BLADES.



LIGHT KIT INSTALLATION

Step 1. Remove the switch housing cap by unscrewing 3 attachment screws.

Remove the plug button from the center hole of the cap. Attaching light kit to the cap by securing with spring sasher and hex nut. Be sure it is tight enough to prevent light kit from vibrating loose.

Step 2. Making wire connections, connect the BLACK wire from light kit to BLUE wire from switch housing, connect WHITE wire from light kit to WHITE wire from switch housing with supplied wire nuts.

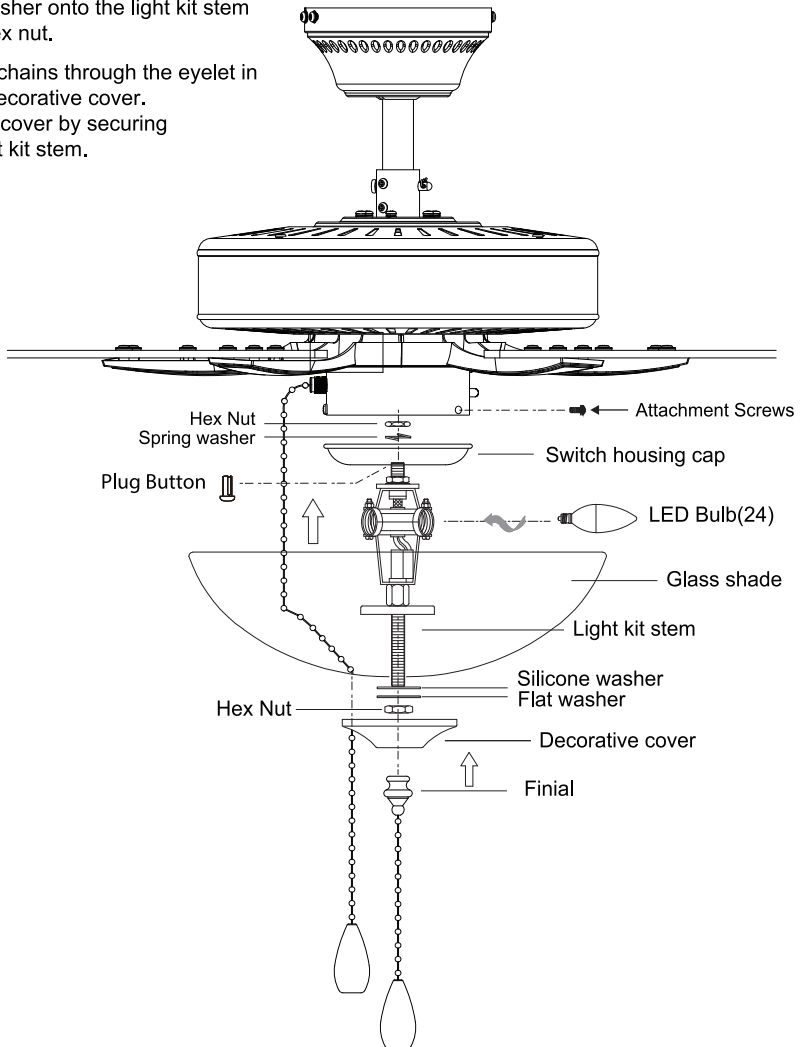
Re-attach the cap with light kit to switch housing with those 3 attachment screw removed previously.

Step 3. Remove the silicone washer, flat washer, decorative cover, hex nut and finial from the light kit stem. Install the light bulbs included (E12 base, 3x 40W MAX).

Place glass shade over the light kit stem, replace silicone washer, flat washer onto the light kit stem and secure with the hex nut.

Step 4. Insert the pull chains through the eyelet in the glass shade and decorative cover.

Secure the decorative cover by securing with finial onto the light kit stem.



OPERATING YOUR FAN

Turn on the power and check the operation of your fan. The pull chain controls the fan speed as follows:

1. 3-speed pull chain - it controls the fan speed as follows:

- 1 pull - High
- 2 pulls - Medium
- 3 pulls - Low
- 4 pulls - Off

Speed settings for warm or cool weather depend on factors such as the room size, ceiling height, number of fans, and so on.

The slide reverse switch controls directions:
forward (switch down) or reverse (switch up).

2. Pull chain control the light On/Off.

NOTE: Wait for fan to stop before changing the setting of the slide switch.

Warm Weather (Forward) - A downward airflow creates a cooling effect as shown in Fig.12. This allows you to set your air conditioner on a warmer setting without affecting your comfort.

Cool Weather (Reverse) - An upward airflow moves warm air off the ceiling area as shown in Fig.13. This allows you to set your heating unit on a cooler setting without affecting your comfort.

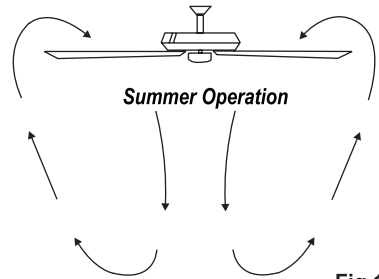


Fig.12

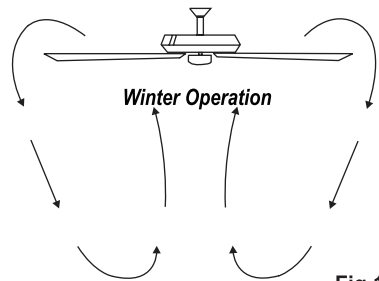


Fig.13

TROUBLESHOOTING

WARNING: Failure to disconnect power supply prior to troubleshooting any wiring issues may result in serious injury.

Problem	Solutions
Fan will not start.	<ul style="list-style-type: none">- Check circuit fuses or breakers.- Check line wire connections to the fan and switch wire connections in the switch housing.
Fan sounds noisy.	<ul style="list-style-type: none">- Make sure all motor housing screws are snug.- Make sure the screws that attach the fan blade bracket to the motor hub is tight.- Make sure wire nut connections are not rubbing against each other or the interior wall of the switch housing.- Allow a 24-hour "breaking-in" period. Most noise associated with a new fan disappear during this time.- If using an optional light kit, make sure the screws securing the glassware are tight. Check that light bulb is also secure.- Some fan motors are sensitive to signals from solid-state variable speed controls. If you have installed this type of control, choose and install another type of control.- Make sure the upper canopy is a short distance from the ceiling. It should not touch the ceiling.
Fan wobbles	<ul style="list-style-type: none">- Check that all blade and blade arm screws are secure.- Most fan wobbling problems are caused when blade levels are unequal. Check this level by selecting a point on the ceiling above the tip of one of the blades. Measure this distance. Rotate the fan until the next blade is positioned for measurement. Repeat for each blade. The distance deviation should be equal within 1/8".- Use the enclosed Blade Balancing Kit if the blade wobble is still noticeable.- If the blade wobble is still noticeable, interchanging two adjacent (side by side) blades can redistribute the weight and possibly result in smoother operation.

CARE OF YOUR FAN

Here are some suggestions to help you maintain your fan.

1. Because of the fan's natural movement, some connections may become loose. Check the support connections, brackets, and blade attachments twice a year. Make sure they are secure. (It is not necessary to remove fan from ceiling.)
2. Clean your fan periodically to help maintain its new appearance over the years. Use only a soft brush or lint-free cloth to avoid scratching the finish. The plating is sealed with a lacquer to minimize discoloration or tarnishing. Do not use water when cleaning. This could damage the motor, or the wood, or possibly cause an electrical shock.
3. You can apply a light coat of furniture polish to the wood blades for additional protection and enhanced beauty. Cover small scratches with a light application of shoe polish.
4. There is no need to oil your fan. The motor has permanently lubricated bearings.



www.rplighting.com
4931 Paseo Del Norte NE
Albuquerque, NM 87113
1-800.937.6925